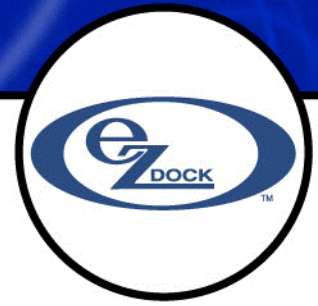
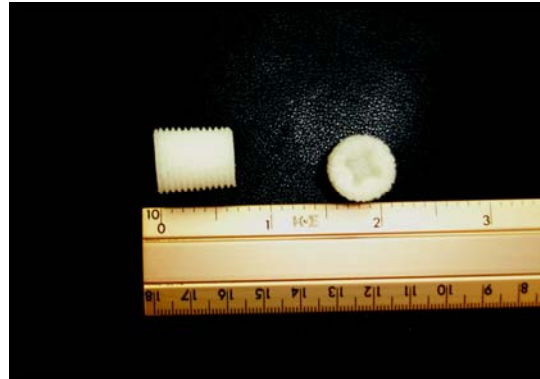


Product Announcement



9000028 VENT, HYDROPHOBIC 1/4" NPT 100 MICRON
9000029 KIT, DRILL AND TAP FOR HYDROPHOBIC



9000028

Features and Benefits

Introducing the new EZ Dock Hydrophobic vent (9000028). All future production of docks and ports will include one of these vents to replace the “open to atmosphere” vent. This new vent is designed to allow the dock/port sections to breath but will not allow water in pass through. The new vent will be factory installed in one of the spin weld areas. In addition these vents can be purchased to retro fit older dock sections in the field using only a drill. A Drill and Tap Kit is also available (9000029) and comes with a 7/16” drill bit and a 1/4” NPT tap (this TAP threads the 1/2” hole into which the vent is threaded).

Now Available.

9000028 Vent, Hydrophobic 1/4” NPT 100 Micron

Shipping Weight- 1 lbs

MSRP \$2.99

9000029 Kit, Drill and Tap for Hydrophobic Vents

Shipping Weight- 1 lbs

MSRP \$17.25

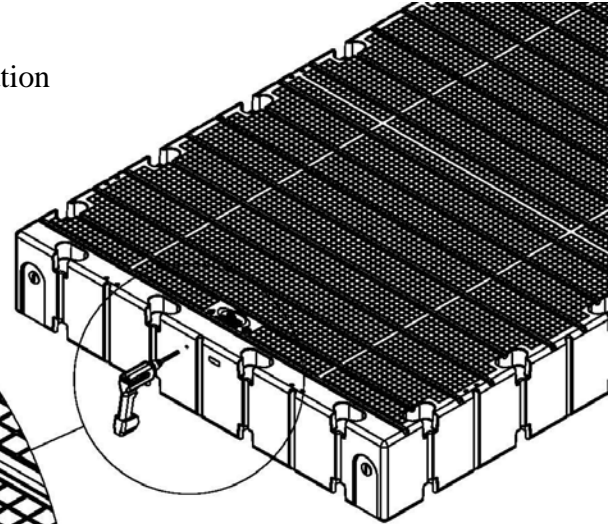
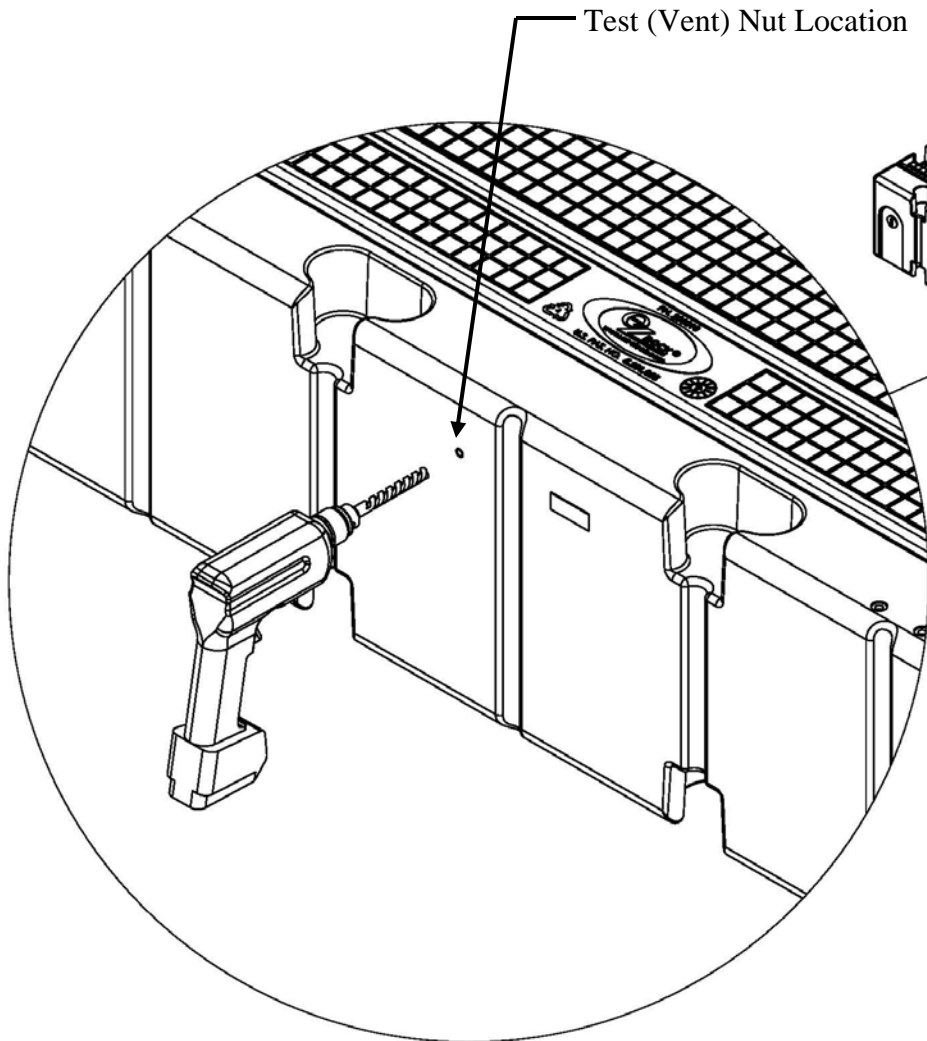
EZ Dock Inc. 878 Highway 60 • Monett, MO 65708 • 888-654-8168 • fax: 417-235-2232 • www.ez-dock.com



Product Announcement



Retrofitting in field product with Hydrophobic Vents



1. Drill out the current 1/4" vent hole with a 7/16" drill.
2. Using the supplied tap (1/4"-18 NPT) tap. Tap should be used at low speed
3. Insert hydrophobic vent PN# 9000028) into tapped hole and tighten till flush with #3 Philips screw driver

PN # 9000029

EZ Dock Inc. 878 Highway 60 • Monett, MO 65708 • 888-654-8168 • fax: 417-235-2232 • www.ez-dock.com